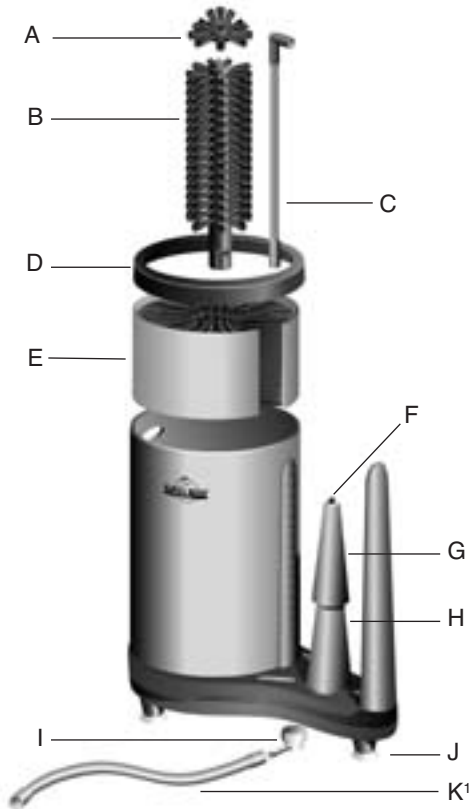


Neptun T2000 Parts List

Order replacement parts and chemicals online at www.NationalChemicals.com. For technical assistance, call 1-800-533-0027 or 507-454-5640.



Item	Description	Part No.
A	Brush Head - Long Bristles	R60115
B	Center Brush	R60126
C	Down Tube	R60116
D	Shock Protection Ring	R60121
E	Brush Strip	R60104
F	Rinse Spray Control Assembly	R60108
G	Rinse Valve Housing - Top	R60120
H	Rinse Valve Housing - Bottom	R60119
I	Elbow Connector	R60114
J	Suction Feet	R60113
K	Water Hose Assembly ¹	R60124
	TAP Connector - Male ²	R60106
	Quick Connector - Female ²	R60105
	Y Adapter ²	R60110

¹ Includes Back Flow Assembly (not shown).

² Item not shown.

IMPORTANT!

Record the following information. This information is required when contacting National Chemicals, Inc.

Model:

Serial No.:

Date of Purchase:



ONE-YEAR LIMITED WARRANTY

National Chemicals, Inc warrants for one year from date of purchase that the Spülboy GlassWashing System is free from defects in material and workmanship when used under normal conditions. This warranty does not cover any damage due to accident, misuse, abuse or negligence. This warranty does not cover brushes or other wear components as their life is subject to use conditions which vary.

If the product fails to perform as stated, we will repair or replace it at our option, free of charge. Please call (1-800-533-0027) or email (onlineorders@nationalchemicals.com) National Chemicals, Inc for specific instructions about returning the product for warranty service. If return of the product is necessary, you will be asked to return the complete unit, postage paid to: 105 Liberty St, Winona, MN 55987.

This warranty is void if the owner repairs or modifies the product unless specifically requested to do so by National Chemicals, Inc. This warranty excludes any liability other than that expressly stated above including but not limited to any incidental or consequential damages.



Distributed by:
NationalChemicals.com
1-800-533-0027
Winona, Minnesota



OWNER'S MANUAL for Neptun T2000 Glass Washing System



IMPORTANT!

TO RECEIVE MAXIMUM PERFORMANCE AND USEFUL LIFE FROM YOUR NEW SPÜLBOY GLASS WASHING SYSTEM, PLEASE READ THIS MANUAL CAREFULLY.

Installation Instructions

NOTE: This equipment is to be installed in compliance with any applicable federal, state or local plumbing codes.

1. Check to make sure you have received all parts shown in the diagram. If you are missing any pieces, contact your Spülboy representative immediately.
2. Find the Universal Adapter Kit. Attach the appropriate adapter to your faucet head (the adapter with the metal flow screen will fit 90% of all US faucets.)
3. Disconnect the TAP Connector-Male from the Quick Connector-Female, located at the end of the Spülboy hose. Screw the TAP Connector-Male to the faucet adapter. NOTE: If you are using either a Gardena Y-adapter or a 4-way adapter, do not use the TAP Connector. Simply screw the Y-adapter or 4-way adapter into place on the faucet.
4. Place your Spülboy Glass Scrubber into the sink and secure its suction cup feet to the sink bottom by pushing down on the unit.
5. Check to be sure that the Brush Head and Center Brush are seated properly in the Washing Canister and that the Shock Protection Ring is in place around the canister top. Make sure the Down Tube is connected to the small water sprout in the inside of the Washing Canister at the top of the Inside Rinse Arm.
6. Add detergent according to package directions.
7. Fill the Washing Canister with cold water, directly from the faucet, before you connect the water hose. DO NOT attempt to fill the canister after hooking the Water Hose to the faucet.
8. Connect the Quick Connector-Female to the TAP Connector-Male (or to the alternate adapter if you are using one). Turn on the cold water, about 1/3 water pressure. **Do not turn water pressure to full force!** Use just enough water pressure to have the Rinse Arm working effectively. Too much water pressure may cause the Rinse Valve Housing to fly off.
9. Prepare a sanitizing sink by thoroughly cleaning a second sink. Fill with cold water and add sanitizer according to package instructions.

Operating Instructions

1. Be sure that you have properly installed the Spülboy following the above installation instructions. If you have not already done so, add detergent to Washing Canister and fill canister with cold water.
2. Place a dirty glass, upside down, over the Brush Head and Center Brush in the Washing Canister.
3. Work the glass vigorously up and down on the Center Brush; one or two strokes is usually all that is needed. The Center Brush and the Outer Brush Strip will remove all wax and alcohol residue. Heavy lipstick may

- require a few extra strokes to be removed completely. You should use only an up and down motion to scrub the glass. This motion lifts the dirt off the glass. Twisting or rotating the glass around the brushes only spreads the dirt around the glass. It does not lift dirt off.
4. To rinse, place glass upside down over the Spray Control for just a few seconds. The weight of the glass will activate the rinse process, forcing fresh tap water to rinse the inside and outside of the glass. Remove the glass after a moment or two.
 5. To sanitize the glass, dip it in a clean second sink filled with cold water and appropriate sanitizer.
 6. Place glass upside down on drying mat to air dry spotlessly.

Daily Cleaning Instructions

CAUTION: The Spülboy Glass Scrubbing system must be cleaned properly and regularly in order to maintain its effectiveness. This simple task will also extend the life of the brushes. It must be done at the close of each working day.

At the end of the day:

1. Add one scoop of Spülboy Overnight Brush Cleaner directly into the Washing Canister. Agitate the water and solvent by scrubbing a glass in the canister until a white foam appears, indicating that the cleaning powder has been worked into the brushes.
2. Remove the glass, leaving the Overnight Brush Cleaner in the Washing Canister overnight.
3. Hold the glass upside down on the Spray Control until the Washing Canister is full to the top with water.
4. With the glass still on the Spray Control, turn off the Water Supply. You will know the water is off when you notice that no more water is coming from the Spray Control.
5. Disconnect the Spülboy by releasing the Quick Connector-Female from the water faucet. Leave water and Overnight Brush Cleaner in Washing Canister.

Next day before opening:

1. Remove the Shock Protection Ring from the top of the Washing Canister. Next, remove the Brush Strip by simply lifting it out of the canister.
2. Drain the water from the Washing Canister by removing the Center Brush from the canister. To remove, turn the Center Brush 1/2 turn to the left, then lift out. The water and remaining Overnight Brush Cleaner will drain out the bottom of the canister.
3. Using the Center Brush, scrub the entire Spülboy, inside and outside, taking care to also scrub the base of the unit. Rinse all parts with cool tap water.
4. Check all brushes and replace any that are noticeably flattened or worn out. Periodically, you may wish to run the brushes through your hot water dishwasher.
5. Reinstall the Center Brush by inserting it into the canister drain hole and turning the brush 1/2 turn to the right. This locks the brush into the hole.

6. Reinstall the Brush Strip into the canister. Flip the brush daily, so the top of the brush becomes the bottom of the brush the one day and then is reversed for the following day of operation. This will ensure that the brush strip wears evenly and that glasses are cleaned most effectively.
7. Replace the Shock Protection Ring.

Important Points

- Replenish detergent when the soap foam is no longer visible when scrubbing a glass.
- Flip the canister Brush Strip every day to keep brush wear even. This will ensure the most effective cleaning. Order a new brush when you find that it takes more than a few scrubbing strokes to properly clean a glass or when you notice it is getting more difficult to remove stubborn lipstick marks.
- Brushes may be placed in a commercial dishwasher for cleaning, if desired. Do not put the Spülboy unit in a dishwasher.
- Once a week, remove the brushes from the Spülboy and allow them to air dry completely. This acts to renew the effectiveness of the brushes.
- Cleaning your Spülboy in water temperature higher than 120°F will void warranty.

Reorder Chemicals at NationalChemicals.com



Spülboy Glasswashing Tablets
Specially formulated for use with Spülboy Glasswashers. 1/4 tablet lasts approximately four hours.
48 Tablets (196 doses)

Order No. R60127



Spülboy Overnight Brush Cleaner
Properly cleans and maintains your glasswashing system. Prolongs brush life.
55.5 oz (3 lb. 7.5 oz.)

Order No. R60129



BTF Chlor-Tab Sanitizer
Convenient tablets sanitize and disinfect glassware. Does not leave residues that can affect the appearance and taste of beverages.
100 tablets

Order No. R13002